

LED Corncob Retrofit Lamps

PREMIUM PLUS DESIGN

The Simplest LED Retrofit Around!



Main Features:

- No ballast necessary
- Fast turn on; no warm-up or cold start problems
- Estimated life hours: >50,000
- Sturdy PCB housing with internal cooling fan
- 80% more energy savings compared with conventional HID lamps, CFL, and incandescent bulbs
- >85 CRI with great directionality
- Up to 150 lumens per watt
- Universal burning positions
- Light Weight



Commercial – Hospitality – Retail – Residential – Custom

AAMSCO LIGHTING, INC.

100 Lamp Light Circle | Summerville, SC 29483

Phone 843-278-0000 | Fax 843-278-0001 | www.aamsco.com



Corncob LED



Aamsco supplies high quality LED retrofits to replace conventional HID & CFL lamps.

Main Features:

- Built in surge protection with automatic shut off
- Equipped with overheating protection. Automatically reduces to 1/2 power
- Aluminum fin heat sink & internal cooling fan allow for greater heat dissipation
- No ballast necessary. Fast turn on; no warm-up or cold start problems
- Estimated life hours: >50,000
- Sturdy PCB housing with internal cooling fan on 40W and higher
- 80% more energy saving compared with conventional HID, CFL, and incandescent lamps
- >85 CRI with great directionality
- 130 lumens per watt
- Universal burning positions

Specifications:

- Operating voltage: 100-277V & 480V
- Frequency range: 50-60hz
- Color Temperatures: WW3000-3500K, CW4000-4500K, D6000-6500K
- Integrated Heat-Sink Design
- 7 year warranty*
- UL, CE, DLC & ROHS CERTIFIED
- Not for use on a dimmer or remote controls
- For use in open or enclosed fixtures***

***In enclosed fixtures, ensure the lamp has enough space for heat dissipation. This will ensure lumen maintenance and extend its working life. When products are used in outdoor fixtures, ensure the space is waterproof and well ventilated. If there is a ballast in the existing fixture, simply disconnect or bypass when installing Corncob LED retrofit lamps.

Commercial – Hospitality – Retail – Residential – Custom

AAMSCO LIGHTING, INC.

100 Lamp Light Circle | Summerville, SC 29483

Phone 843-278-0000 | Fax 843-278-0001 | www.aamsco.com





AAMSCO LIGHTING, INC.

100 Lamp Light Circle | Summerville, SC 29483
 Phone 843-278-0000 | Fax 843-278-0001 | www.aamsco.com

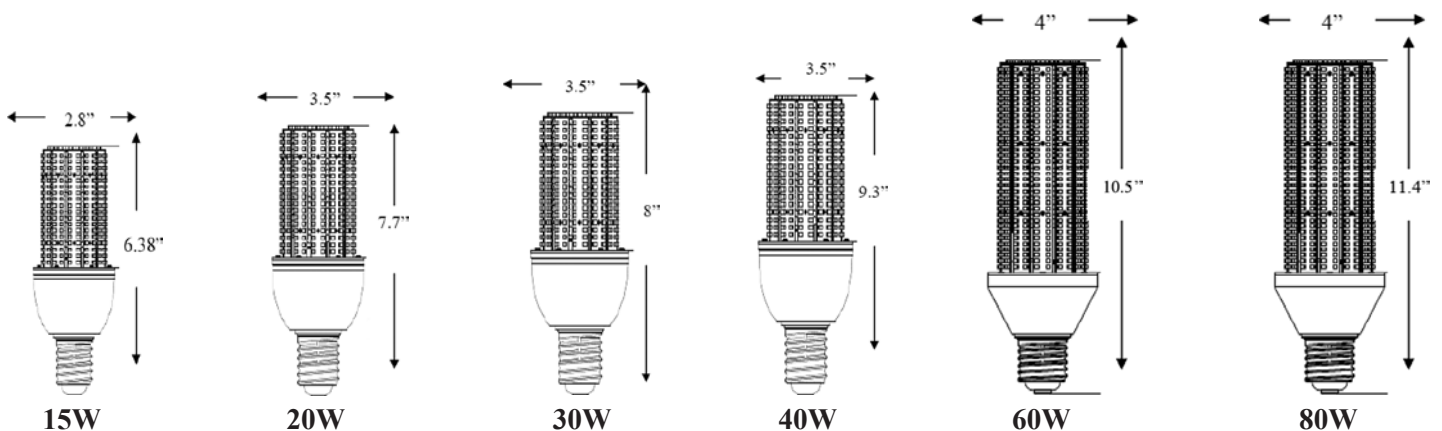
Corncob LED



MODEL	LED15	LED20	LED30	LED40	LED60	LED80
Wattage	15W	20W	30W	40W	60W	80W
Beam Angle	360 Degree	360 Degree	360 Degree	360 Degree	360 Degree	360 Degree
Light Source Count	216 LEDs	300 LEDs	486 LEDs	660 LEDs	900 LEDs	1160 LEDs
Lamp Base	Medium (MD) or Mogul (MG)	Medium (MD) or Mogul (MG)	Medium (MD) or Mogul (MG)	Medium (MD) or Mogul (MG)	Medium (MD) or Mogul (MG)	Medium (MD) or Mogul (MG)
Power Usage	17W +/-10%	22W +/-10%	33W +/-10%	44W +/-10%	67W +/-10%	88W +/-10%
Luminous Flux	1800lm	2600lm	3900lm	5200lm	7800lm	10400lm
Color Temp	WW 3000-3500K CW 4000-4500K D 6000-6500K	WW 3000-3500K CW 4000-4500K D 6000-6500K	WW 3000-3500K CW 4000-4500K D 6000-6500K	WW 3000-3500K CW 4000-4500K D 6000-6500K	WW 3000-3500K CW 4000-4500K D 6000-6500K	WW 3000-3500K CW 4000-4500K D 6000-6500K
Input Voltage	100-277V 480V	100-277V 480V	100-277V 480V	100-277V 480V	100-277V 480V	100-277V 480V
Life Hours	50,000	50,000	50,000	50,000	50,000	50,000
Dimensions	2.8" x 6.38"	3.5" x 7.7"	3.5" x 8"	3.5" x 9.3"	4" x 10.5"	4" x 11.4"

ORDER CODE CONFIGURATION: LED(Watts)(Color Temp)(Base)

Example: LED20W 3000-3500K Medium Base = LED20WWMD



Super Corncob LED



Aamsco supplies Super High Wattage LED retrofits to replace conventional HID & CFL lamps.

Main Features:

- Built in surge protection with automatic shut off
- Equipped with overheating protection. Automatically reduces to ½ power
- Aluminum fin heat sink & internal cooling fan allow for greater heat dissipation
- No ballast necessary. Fast turn on; no warm-up or cold start problems
- Estimated life hours: >50,000
- Sturdy PCB housing with internal cooling fan
- 80% more energy saving compared with conventional HID, CFL, and incandescent lamps
- 150 lumens per watt
- Universal burning positions

Specifications:

- Operating voltage: 100-277V & 480V
- Frequency range: 50-60hz
- Color Temperatures: WW3000-3500K, CW4000-4500K, D6000-6500K
- Integrated Heat-Sink Design
- 7 year warranty*
- UL, CE, DLC & ROHS CERTIFIED
- Not for use on a dimmer or remote controls
- For use in open or enclosed fixtures***

***In enclosed fixtures, ensure the lamp has enough space for heat dissipation. This will ensure lumen maintenance and extend its working life. When products are used in outdoor fixtures, ensure the space is waterproof and well ventilated. If there is a ballast in the existing fixture, simply disconnect or bypass when installing Corncob LED retrofit lamps.

Commercial – Hospitality – Retail – Residential – Custom

AAMSCO LIGHTING, INC.

100 Lamp Light Circle | Summerville, SC 29483

Phone 843-278-0000 | Fax 843-278-0001 | www.aamsco.com





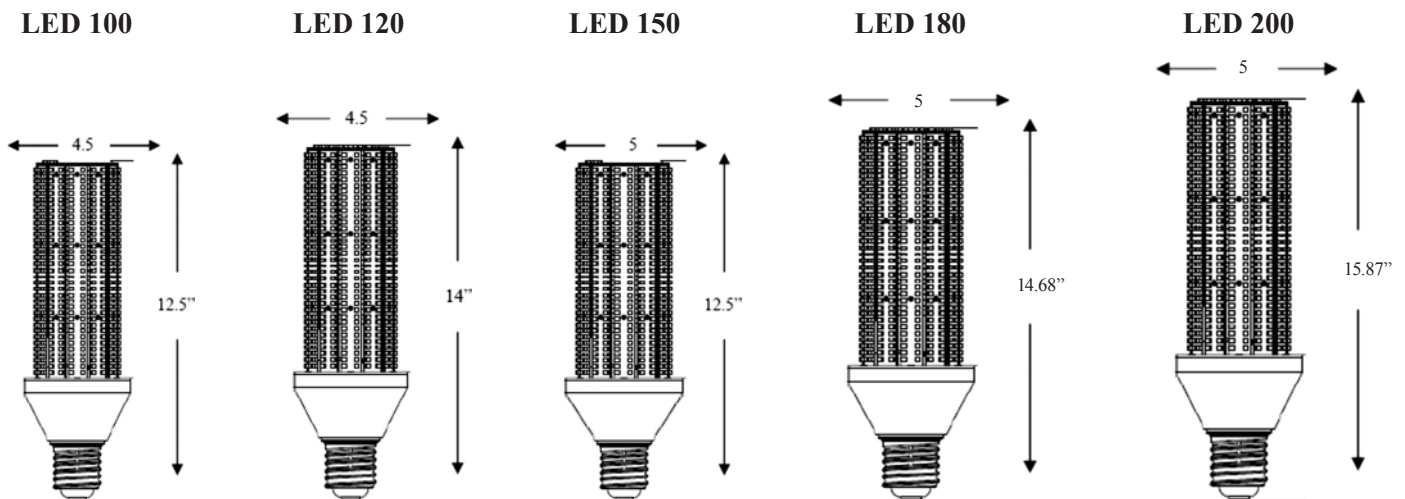
Commercial – Hospitality – Retail – Residential – Custom
AAMSCO LIGHTING, INC.
 100 Lamp Light Circle | Summerville, SC 29483
 Phone 843-278-0000 | Fax 843-278-0001 | www.aamsco.com

Super Corncob LED



MODEL	LED100	LED120	LED150	LED180	LED200
Wattage	100W	120W	150W	180W	200W
Beam Angle	360 Degree	360 Degree	360 Degree	360 Degree	360 Degree
Light Source Count	1040 LEDs	1040 LEDs	1440 LEDs	780 LEDs	832 LEDs
Lamp Base	Medium (MD) or Mogul (MG)	Medium (MD) or Mogul (MG)	Mogul (MG)	Mogul (MG)	Mogul (MG)
Power Usage	113W +/- 10%	135W +/- 10%	169W +/- 10%	183W +/- 10%	204W +/- 10%
Luminous Flux	15000lm	18000lm	22500lm	27000lm	30000lm
Color Temp	WW 3000-3500K CW 4000-4500K D 6000-6500K	WW 3000-3500K CW 4000-4500K D 6000-6500K	WW 3000-3500K CW 4000-4500K D 6000-6500K	WW 3000-3500K CW 4000-4500K D 6000-6500K	WW 3000-3500K CW 4000-4500K D 6000-6500K
Input Voltage	100-277V 480V	100-277V 480V	100-277V	100-277V	100-277V
Life Hours	50,000	50,000	50,000	50,000	50,000
Dimensions	4.5" x 12.5"	4.5" x 14"	5" x 12.5"	5" x 14.68"	5" x 15.87"

ORDER CODE CONFIGURATION: LED(Watts)(Color Temp)(Base)
 Example: LED100W 3000-3500K Medium base = LED100WWMD



Corncob Mini



An energy smart alternative to incandescent lamps and an ecological light source to help the environment. Aamsco's Mini Corncob LEDs are an affordable light source for both residential and commercial areas.

Main Features:

- Fast turn on; no warm-up or cold start problems
- Estimated life hours: >50,000
- Sturdy PCB housing
- 80% more energy saving compared with conventional CFLs and incandescent lamps
- >85 CRI with great directionality
- 120 lumens per watt
- Universal burning positions

Specifications:

- Operating voltage: 100-277V
- Frequency range: 50-60hz
- Color Temperatures: WW3000-3500K, CW4000-4500K, D6000-6500K
- Integrated Heat-Sink Design
- 7 year warranty*
- UL, CE & ROHS Certified
- Not for use on a dimmer or remote controls
- For use in open or enclosed fixtures***

****In enclosed fixtures, ensure the lamp has enough space for heat dissipation. This will ensure lumen maintenance and extend its working life. When products are used in outdoor fixtures, ensure the space is waterproof and well ventilated. If there is a ballast in the existing fixture, simply disconnect or bypass when installing Corncob LED retrofit lamps.*

Commercial – Hospitality – Retail – Residential – Custom

AAMSCO LIGHTING, INC.

100 Lamp Light Circle | Summerville, SC 29483

Phone 843-278-0000 | Fax 843-278-0001 | www.aamsco.com





Corncob Mini



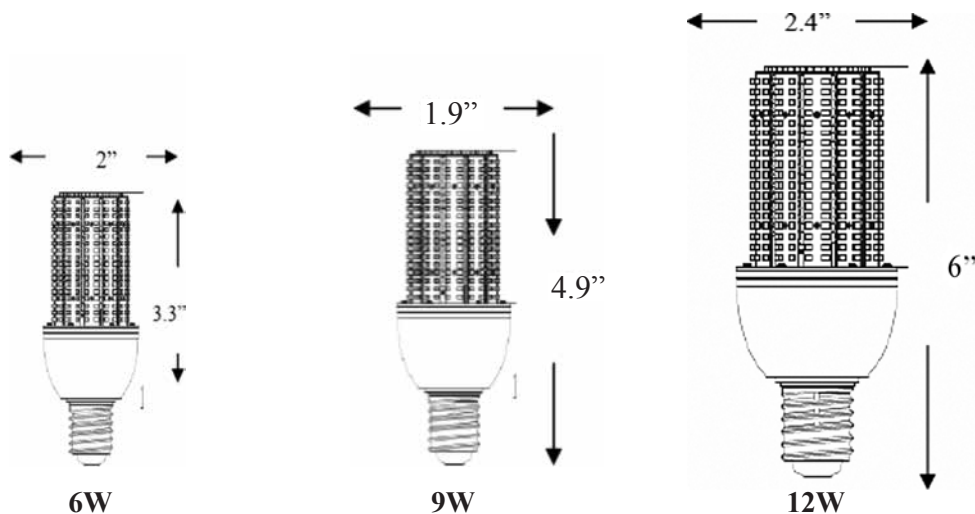
MODEL	LED6W	LED9W	LED12W
Wattage	6W	9W	12W
Beam Angle	360 Degree	360 Degree	360 Degree
Light Source Count	133 LEDs	150 LEDs	180 LEDs
Lamp Base	Medium (MD)	Medium (MD)	Medium (MD)
Power Consumption	8W +/-10%	10W +/-10%	13W +/-10%
Luminous Flux	720lm	1080lm	1440lm
Color Temperature	WW 3000-3500K CW 4000-4500K D 6000-6500K	WW 3000-3500K CW 4000-4500K D 6000-6500K	WW 3000-3500K CW 4000-4500K D 6000-6500K
Input Voltage	100-277V	100-277V	100-277V
Life Hours	50,000	50,000	50,000
Dimensions	2" x 3.3"	1.9" x 4.9"	2.4" x 6"

ORDERING NUMBER CONFIGURATION:

LED(Watt)(color temp)(base type)

Example: LED9W, 3000-3500K, medium base= LED9WWMD

Recommended minimum 6" diameter spacing in enclosed fixtures



Corncob Dome LED



Uniquely designed to create a better light to ground ratio. Easy ballast free installation and low power consumption for energy savings. Can be used in indoor and outdoor applications.

Main Features:

- Built in surge protection with automatic shut off
- Equipped with overheating protection. Automatically reduces to ½ power
- Fast turn on; no warm-up or cold start problems
- Estimated life hours: >50,000
- Sturdy PCB housing with internal cooling fan on 40W & higher
- 80% more energy saving compared with conventional HID, CFL, and incandescent lamps
- >85 CRI with great directionality
- 140-150 lumens per watt
- Universal burning positions

Specifications:

- Operating voltage: 100-277V
- Frequency range: 50-60hz
- Color Temperatures: WW3000-3500K, CW4000-4500K, D6000-6500K
- Integrated Heat-Sink Design
- 7 year warranty*
- UL, CE, DLC & ROHS Certified
- Not for use on a dimmer or remote controls
- For use in open or enclosed fixtures***

****In enclosed fixtures, ensure the lamp has enough space for heat dissipation. This will ensure lumen maintenance and extend its working life. When products are used in outdoor fixtures, ensure the space is waterproof and well ventilated. If there is a ballast in the existing fixture, simply disconnect or bypass when installing Corncob LED retrofit lamps.*

Commercial – Hospitality – Retail – Residential – Custom

AAMSCO LIGHTING, INC.

100 Lamp Light Circle | Summerville, SC 29483

Phone 843-278-0000 | Fax 843-278-0001 | www.aamsco.com





Commercial – Hospitality – Retail – Residential – Custom

AAMSCO LIGHTING, INC.

100 Lamp Light Circle | Summerville, SC 29483
 Phone 843-278-0000 | Fax 843-278-0001 | www.aamsco.com

Corncob Dome LED



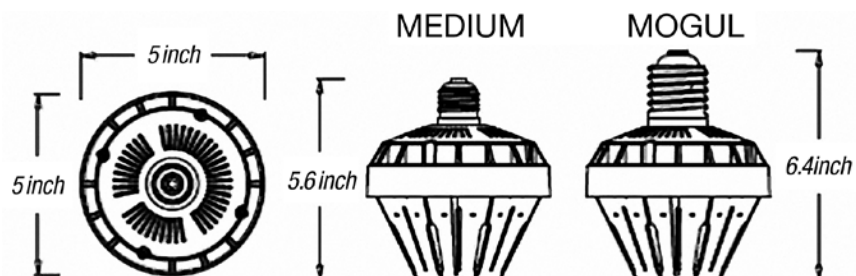
MODEL	LED20W-DOME	LED30W-DOME
Wattage	20W	30W
Beam Angle	360 Degree	360 Degree
Light Source Count	100 LEDs	180 LEDs
Lamp Base	Medium (MD) or Mogul (MG)	Medium (MD) or Mogul (MG)
Power Usage	23W +/-10%	33W +/-10%
Luminous Flux	3400lm	4946lm
Color Temperature	WW 3000-3500K CW 4000-4500K D 6000-6500K	WW 3000-3500K CW 4000-4500K D 6000-6500K
Input Voltage	100-277V	100-277V
Life Hours	50,000	50,000
Dimensions	Medium (MD) 5" x 5.6" Mogul (MG) 5" x 6.4"	Medium (MD) 5" x 5.6" Mogul (MG) 5" x 6.4"

ORDERING CODE CONFIGURATION:

LED(Watts)(Color Temp)(Base)-DOME

Example: LED20W 3000-3500K Medium Base = LED20WWMD-DOME

Recommended minimum 11" diameter spacing in enclosed fixtures





Commercial – Hospitality – Retail – Residential – Custom

AAMSCO LIGHTING, INC.100 Lamp Light Circle | Summerville, SC 29483
Phone 843-278-0000 | Fax 843-278-0001 | www.aamsco.com

Corncob Dome LED High Wattage

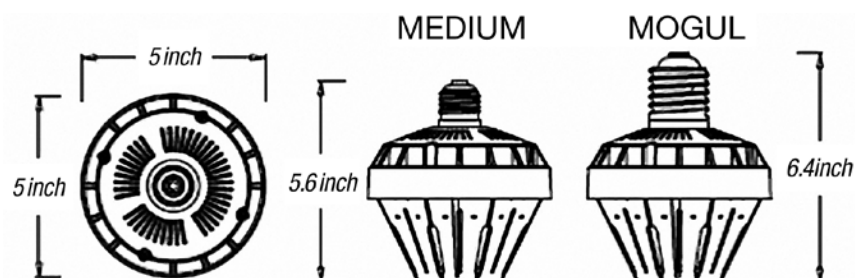


MODEL	LED40W-DOME	LED50W-DOME	LED60W-DOME
Wattage	40W	50W	60W
Beam Angle	360 Degree	360 Degree	360 Degree
Light Source Count	190 LEDs	260 LEDs	270 LEDs
Lamp Base	Medium (MD) or Mogul (MG)	Medium (MD) or Mogul (MG)	Medium (MD) or Mogul (MG)
Power Usage	40-45W +/-10%	50-55W +/-10%	60-65W +/-10%
Luminous Flux	6300lm	7711lm	9150lm
Color Temperature	WW 3000-3500K CW 4000-4500K D 6000-6500K	WW 3000-3500K CW 4000-4500K D 6000-6500K	WW 3000-3500K CW 4000-4500K D 6000-6500K
Input Voltage	100-277V	100-277V	100-277V
Life Hours	50,000	50,000	50,000
Dimensions	Medium (MD) 5" x 5.6" Mogul (MG) 5" x 6.4"	Medium (MD) 5" x 5.6" Mogul (MG) 5" x 6.4"	Medium (MD) 5" x 5.6" Mogul (MG) 5" x 6.4"

*These models have an internal cooling fan.***ORDERING CODE CONFIGURATION:**

LED(Watts)(Color Temp)(Base)-DOME

Example: LED40W 3000-3500K Medium Base = LED40WWMD-DOME

Recommended minimum 11" diameter spacing in enclosed fixtures

LED CFL Types



Aamsco can provide a Corncob LED with Medium and 4-pin bases. These self-ballasted LEDs can be used in place of CFL lamps; simply bypass the existing ballast when installing.

Main Features:

- Fast turn on; no warm-up or cold start problems
- Estimated life hours: >50,000
- Sturdy PCB housing
- 80% more energy saving compared with conventional CFLs and incandescent lamps
- >85 CRI with great directionality
- 120 lumens per watt
- Universal burning positions

Specifications:

- Operating voltage: 100-277V
- Frequency range: 50-60hz
- Color Temperatures: WW3000-3500K, CW4000-4500K, D6000-6500K
- Integrated Heat-Sink Design
- 2 year warranty
- Not for use on a dimmer or remote controls
- For use in open or enclosed fixtures***

***In enclosed fixtures, ensure the lamp has enough space for heat dissipation. This will ensure lumen maintenance and extend its working life. When products are used in outdoor fixtures, ensure the space is waterproof and well ventilated. If there is a ballast in the existing fixture, simply disconnect or bypass when installing Corncob LED retrofit lamps.

Commercial – Hospitality – Retail – Residential – Custom

AAMSCO LIGHTING, INC.

100 Lamp Light Circle | Summerville, SC 29483

Phone 843-278-0000 | Fax 843-278-0001 | www.aamsco.com

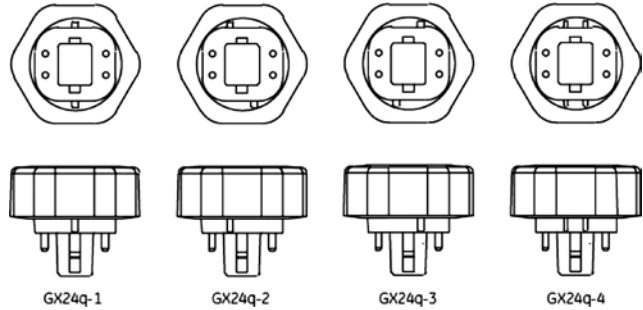




Commercial – Hospitality – Retail – Residential – Custom
AAMSCO LIGHTING, INC.
 100 Lamp Light Circle | Summerville, SC 29483
 Phone 843-278-0000 | Fax 843-278-0001 | www.aamsco.com

LED-GX24Q

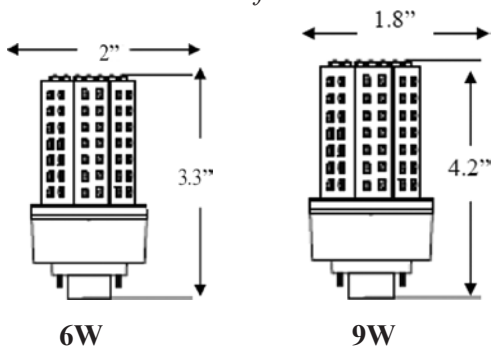
Aamsco can provide a Corncob LED with GX24Q base to take the place of a 4 pin CFL. These self-ballasted LEDs can be used in place of CFL lamps; simply bypass the existing ballast when installing.



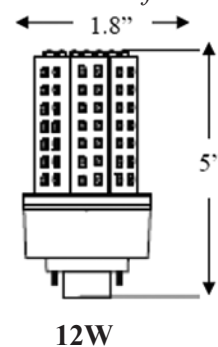
MODEL	LED6W-GX24Q	LED9W-GX24Q	LED12W-GX24Q
Wattage	6W	9W	12W
Beam Angle	360 Degree	360 Degree	360 Degree
Light Source Count	133 LEDs	140 LEDs	189 LEDs
Lamp Base	GX24Q	GX24Q	GX24Q
Power Consumption	8W +/-10%	10W +/-10%	13W +/-10%
Luminous Flux	720lm	1080lm	1440lm
Color Temperature	WW 3000-3500K CW 4000-4500K D 6000-6500K	WW 3000-3500K CW 4000-4500K D 6000-6500K	WW 3000-3500K CW 4000-4500K D 6000-6500K
Input Voltage	100-277V	100-277V	100-277V
Life Hours	50,000	50,000	50,000
Dimensions	2" x 3.3"	1.8" x 4.2"	1.8" x 5"

ORDERING NUMBER CONFIGURATION:
 LED(WATTS)(COLOR TEMP)-GX24Q
 Example: LED12W 3000-3500K=LED12WW-GX24Q

*Recommended minimum 6" diameter spacing
 in enclosed fixtures*



*Recommended minimum 8" diameter spacing
 in enclosed fixtures*

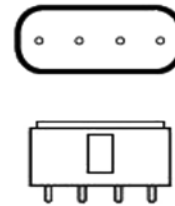




AAMSCO LIGHTING, INC.

100 Lamp Light Circle | Summerville, SC 29483
 Phone 843-278-0000 | Fax 843-278-0001 | www.aamsco.com

Corncob CFL 2G11



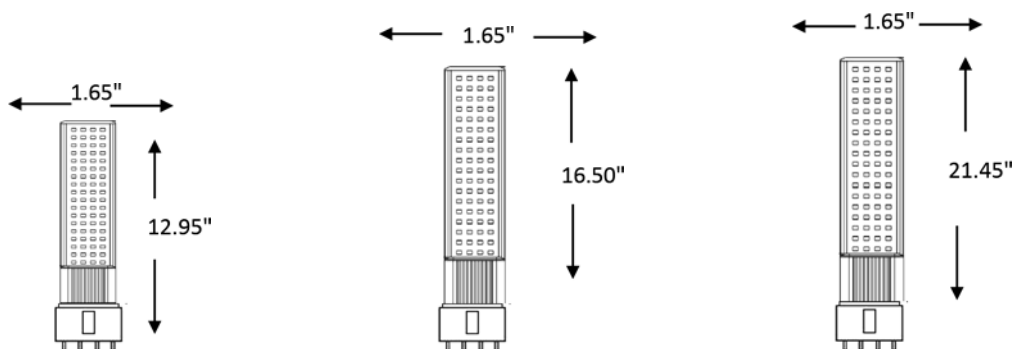
MODEL	LED12W-2G11	LED15W-2G11	LED18W-2G11	LED24W-2G11
Wattage	12W	15W	18W	24W
Beam Angle	180 Degree	180 Degree	180 Degree	180 Degree
Light Source Count	60 LEDs	72 LEDs	96 LEDs	120 LEDs
Lamp Base	2G11	2G11	2G11	2G11
Luminous Flux	1080lm	1350lm	1620lm	2160lm
Color Temperature	WW 3000-3500K CW 4000-4500K D 6000-6500K	WW 3000-3500K CW 4000-4500K D 6000-6500K	WW 3000-3500K CW 4000-4500K D 6000-6500K	WW 3000-3500K CW 4000-4500K D 6000-6500K
Input Voltage	100-277V	100-277V	100-277V	100-277V
Life Hours	50,000	50,000	50,000	50,000
Dimensions	1.65" x 12.95"	1.65" x 16.50"	1.65" x 21.45"	1.65" x 21.45"

ORDERING NUMBER CONFIGURATION:

LED(WATTS)(COLOR TEMP)-2G11

Example: LED18W 3000-3500K=LED18WW-2G11

Not recommended for enclosed fixtures



Flat Panel LED



Introducing the LED Flat Panel retrofit designed with a large, radiating area to illuminate larger spaces.

Main Features:

- Built in surge protection with automatic shut off
- Equipped with overheating protection. Automatically reduces to ½ power
- Fast turn on; no warm up or cold start problems
- Estimated Life hours >50,000
- Sturdy PCB housing
- 80% more energy savings compared with conventional CFL or HID lamps
- Optional steel support wires for safe ceiling mount
- Cylinder available in silver or black
- Optional opaque or transparent cover available

Specifications:

- Operating voltage: 100-280V
- Frequency range: 50-60hz
- Color temperatures: WW 3000-3500K, CW 4000-4500K, D 6000-6500K
- 7 year warranty*
- Not for use on a dimmer or remote controls
- For use in open or enclosed fixtures***

***In enclosed fixtures, ensure the lamp has enough space for heat dissipation. This will ensure lumen maintenance and extend its working life. When products are used in outdoor fixtures, ensure the space is waterproof and well ventilated. If there is ballast in the existing fixture, simply disconnect or bypass when installing Corncob LED retrofit lamps.

Commercial – Hospitality – Retail – Residential – Custom

AAMSCO LIGHTING, INC.

100 Lamp Light Circle | Summerville, SC 29483

Phone 843-278-0000 | Fax 843-278-0001 | www.aamsco.com





Flat Panel LED

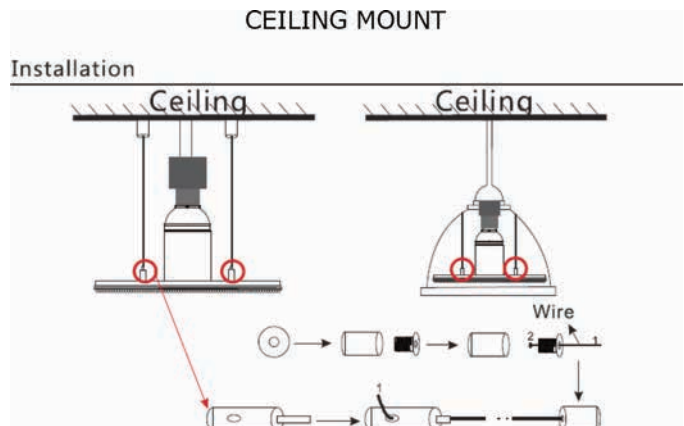
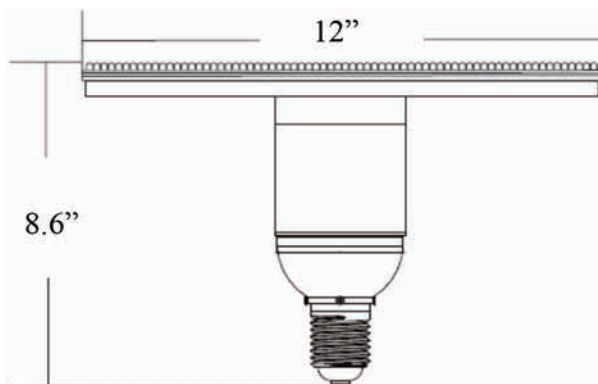


MODEL	LED40-PANEL	LED60-PANEL	LED80-PANEL
Wattage	40W	60W	80W
Beam Angle	120 Degree	120 Degree	120 Degree
Light Source Count	140 LEDs	200 LEDs	300 LEDs
Lamp Base	Mogul (MG)	Mogul (MG)	Mogul (MG)
Power Usage	43W +/-10%	67W +/-10%	80W +/-10%
Luminous Flux	4200lm	5800lm	8300lm
Color Temp	WW 3000-3500K CW 4000-4500K D 6000-6500K	WW 3000-3500K CW 4000-4500K D 6000-6500K	WW 3000-3500K CW 4000-4500K D 6000-6500K
Input Voltage	100-280V	100-280V	100-280V
Life Hours	50,000	50,000	50,000
Dimensions	12" x 8.6"	12" x 8.6"	12" x 8.6"

ORDER CODE CONFIGURATION: LED(Watt)(Color temp)-PANEL

Example: LED40 PANEL 3000-3500K = LED40WW-PANEL

Optional cover available in clear or translucent finish.











Commercial – Hospitality – Retail – Residential – Custom

AAMSCO LIGHTING, INC.

100 Lamp Light Circle | Summerville, SC 29483
 Phone 843-278-0000 | Fax 843-278-0001 | www.aamsco.com

SUGGESTED REPLACEMENT GUIDE FOR LED CORNCOB

						
	LED CORNCOB	CORNCOB MINI	LED 2G11	LED GX24Q	CORNCOB DOME	LED PANEL
Incandescent						
60 Watt-890lm	N/A	6 Watt	N/A	6 Watt	N/A	N/A
75 Watt-1150lm	N/A	9 Watt	N/A	9 Watt	N/A	N/A
100 Watt-1600lm	15 Watt	12 Watt	12 Watt	12 Watt	20 Watt	N/A
150 Watt-2700lm	20 Watt	N/A	15 Watt	N/A	20 Watt	N/A
200 Watt-2900lm	30 Watt	N/A	18 Watt	N/A	20 Watt	N/A
300 Watt-5000lm	60 Watt	N/A	24 Watt	N/A	30 Watt	N/A
500 Watt-8700lm	80 Watt	N/A	N/A	N/A	40 Watt	N/A
Metal Halide						
70 Watt	20 Watt	N/A	N/A	N/A	20 Watt	N/A
100 Watt	30 Watt	N/A	12 Watt	N/A	30 Watt	N/A
150 Watt	40 Watt	N/A	15 Watt	N/A	30 Watt	40 Watt
175 Watt	60 Watt	N/A	18 Watt	N/A	40 Watt	60 Watt
250 Watt	80 Watt	N/A	24 Watt	N/A	60 Watt	80 Watt
400 Watt	100 Watt 120 Watt	N/A	N/A	N/A	80 Watt	N/A
100 Watt	180 Watt 200 Watt	N/A	N/A	N/A	80 Watt	N/A
High Pressure Sodium						
50 Watt	15 Watt	N/A	N/A	N/A	N/A	N/A
70 Watt	20 Watt	N/A	N/A	N/A	20 Watt	N/A
100 Watt	30 Watt	N/A	12 Watt	N/A	30 Watt	40 Watt
150 Watt	40 Watt	N/A	18 Watt	N/A	30 Watt	60 Watt
250 Watt	60 Watt	N/A	24 Watt	N/A	60 Watt	80 Watt
400 Watt	80 Watt	N/A	N/A	N/A	80 Watt	N/A
Mercury Vapor						
80 Watt	20 Watt	N/A	N/A	N/A	20 Watt	N/A
125 Watt	40 Watt	N/A	12 Watt	N/A	30 Watt	40 Watt
175 Watt	60 Watt	N/A	18 Watt	N/A	40 Watt	60 Watt
250 Watt	100 Watt	N/A	24 Watt	N/A	60 Watt	80 Watt
400 Watt	120 Watt	N/A	N/A	N/A	80 Watt	N/A
CFL						
7 Watt-400lm	N/A	N/A	N/A	N/A	N/A	N/A
13 Watt-825lm	N/A	6 Watt	N/A	6 Watt	N/A	N/A
18 Watt-1250lm	N/A	9 Watt	N/A	9 Watt	N/A	N/A
24-26 Watt-1800lm	15 Watt	12 Watt	12 Watt	12 Watt	N/A	N/A
32-36 Watt-2500lm	20 Watt	N/A	18 Watt	N/A	N/A	N/A
42 Watt-3200lm	30 Watt	N/A	12 Watt	N/A	N/A	N/A
55 Watt-4300lm	40 Watt	N/A	N/A	N/A	N/A	N/A
80 Watt-6000lm	60 Watt	N/A	N/A	N/A	N/A	40 Watt
105 Watt-6900lm	60 Watt	N/A	N/A	N/A	N/A	60 Watt
150 Watt-8200lm	80 Watt	N/A	N/A	N/A	N/A	80 Watt

*Please note that this information is only intended to be used as a guideline. It is recommended that the LED CornCob be field tested to determine a suitable light source for your application.